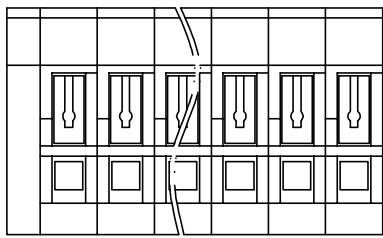
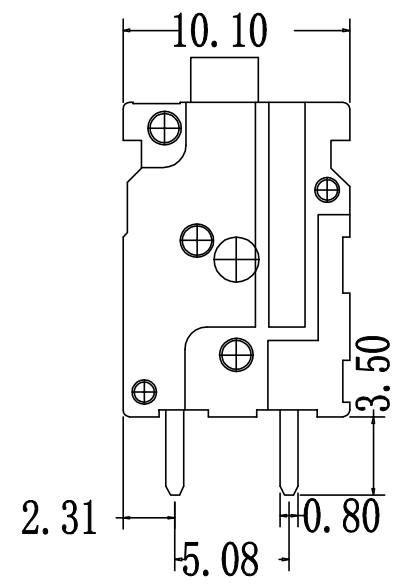
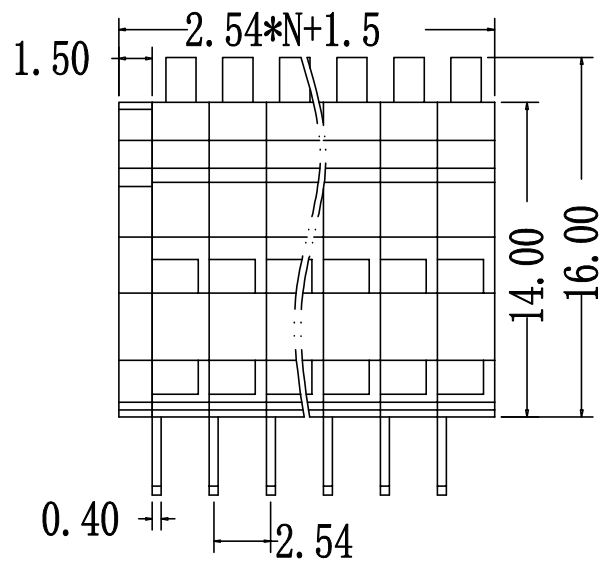
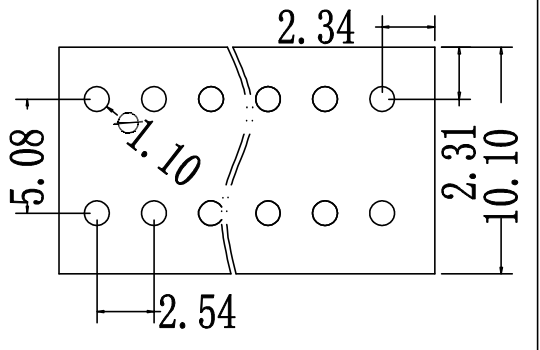


未注公差/General tolerances(mm)												D 0.1/10	
0	>3	>6	>10	>18	>30	>50	>80	>120	>180	>250	>315		>400
±0.12	±0.18	±0.22	±0.26	±0.31	±0.37	±0.57	±0.80	±0.93	±1.05	±1.15	±1.60	±2.20	±2.50

REV	ECN	DESCRIPTION	DRFT	DATE



UL 标准/UL Standard:	B	C	D
额定电压/电流/Rated Voltage(V)/Current(A)	150/5	/	/
IEC 标准/IEC Standard:			
过压类别/Overvoltage Category/污染等级/Pollution Degree	III/2		
额定电压/电流/Rated Voltage(V)/Current(A)	130/6		
额定脉冲电压(KV)/Rate Impulse Voltage(KV)	1.5		
螺丝扭矩/Torque Tightening(N·m/Lb.in)	/		
线径范围(硬线和软线)/Wire Range(rigid and flexible)(mm <sup>2</sup> /AWG)	0.2~0.5/24~20		
间距/Pitch(mm)/线数范围/Poles	2.54/XX=02~32P		
剥线长度/Stripping length(mm)	10~11		
使用温度范围/Operating temperature(°C)	-40~+105		
符合RoHS环保要求/Conform to RoHS	Yes		

DB500V — 2.54 — XXP — C  
 (Series No.) (Pitch) (Poles)  
 (Color) : GN:(Green) , BK:(Black) , BU:(Blue) , RD:(Red) , GY:(Gray)  
 OG:(Orange) , WT:(White) , YL:(Yellow) , CR:(Clear)

Spring	Stainless Steel	/
Conductor	Copper alloy	Sn Plated
Button	PA66	UL94V-0
Insulator	PA66	UL94V-0
NAME OF PART	MATERIAL	NOTES

MAT NO.:	/	<b>宁波地博电气有限公司</b> <b>NINGBO DORABO ELECTRICAL CO., LTD</b>	
STATUS:	/		
APPD: MARK	2024.10.26	NAME:	DB500V-2.54-XXP-C
CHKD: MARK	2024.10.26	DRAWING NO.:	/
DRFT: MARK	2024.10.26	REV	M0
SIZE: A4	mm (inch)	TYPE: CUSTOMER_DRAWING	SCALE: SHEET 1/1