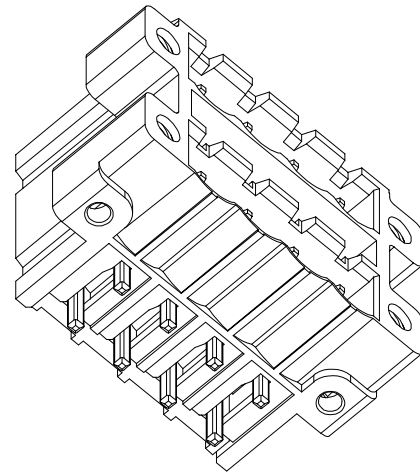
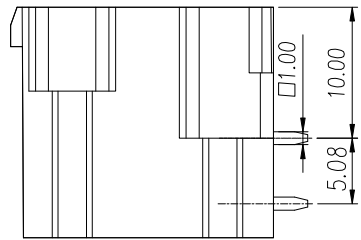
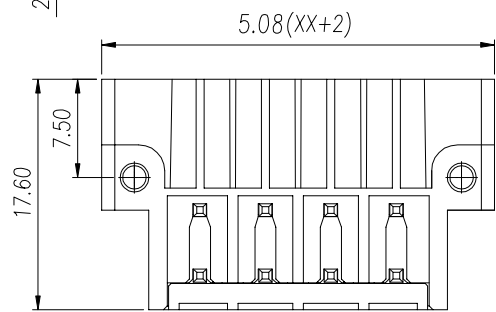
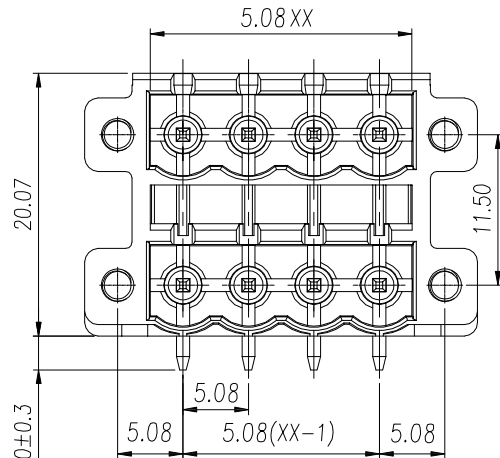
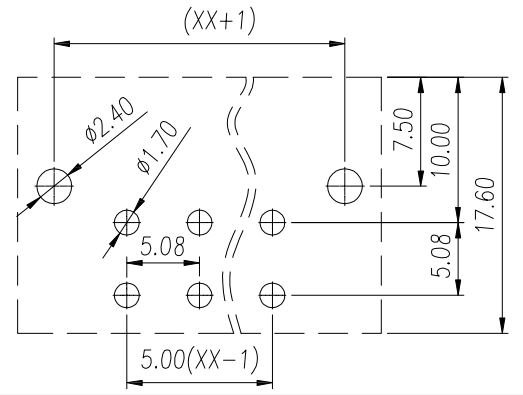


linear dimension(Tolerances Standard GB/T 14486-2008)								—	∇	\perp	
variable range	to	over 6 to 10	over 10 to 30	over 30 to 60	over 60 to 100	over 100 to 160	over 160 to	to	over 10 to 100	over 100 to	
tolerance		±0.20	±0.30	±0.50	±0.70	±1.00	±1.30	±1.60	0.10	0.30	0.60



UL/CUL 技术参数	UL/CUL Technical Data			CUL US		
等级	Use Group	B	C	D		
额定电压	Rated Voltage [V]	300	-	300		
额定电流	Rated Current [A]	15	-	10		
接线范围	Wire Range	-				
单/多芯线	Solid/Stranded [AWG]	-				
耐电压	Withstanding Voltage	1600V/1Min				
IEC 技术参数						
IEC Technical Data						
过电压类别	Overvoltage Category	III	III	II		
污染等级	Contamination Class	3	2	2		
额定电压	Rated Voltage [V]	250	320	400		
额定电流	Rated Current [A]	12	12	12		
额定冲击电压	Impulse withstand voltagea [KV]	4.0	4.0	4.0		
导线截面积	Conductor cross section	-				
硬质/柔性导线	Solid/flexible [mm ²]	-				
材料 Material						
绝缘材料	Insulation Material	LCP				
阻燃等级	Imflammability	UL94V-0				
导体材料	Contacting Material	铜合金 Copper alloy				
导体表面镀层	Contactive Coating	镀锡 Tin Plated				
一般参数 Other Data						
间距	Pitch [mm]	5.08				
极数	Poles [P]	2*2-2*24				
剥线长度	Stripping Length [mm]	-				
螺丝	Screw/扭矩 Torque(Max) [N.m]	-				
工作温度	Operating temperatur [°C]	-40→+130				
引针尺寸	Pin Dimensions [mm]	1.0*1.0				
PCB板孔径	PCB Hole Diameter [mm]	1.7				

DB2ERHBM — 5.08 — 2*XXP — C

(Series No.) (Pitch) (Poles)

(Color) : GN:(Green) , BK:(Black) , BU:(Blue) , RD:(Red) , GY:(Gray)
OG:(Orange) , WT:(White) , YL:(Yellow) , CR:(Clear)

APPD: JTING Chen 2024.5.6
CHKD: Duck Mao 2024.5.6
DRFT: Steven Lu 2024.5.6



宁波地博电气有限公司
Ningbo Dorabo Electric CO., Ltd

NAME: DB2ERHBM-5.08-2*XXP-C				
\oplus	∇	SIZE: A4	mm (inch)	REV TO-1
TYPE: CUSTOMER_DRAWING		SCALE: 1:1	SHEET 1/1	