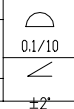


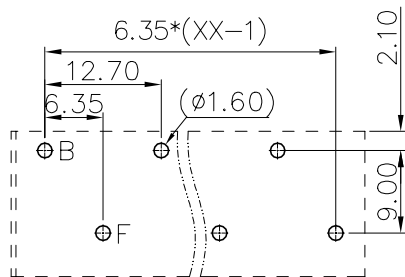
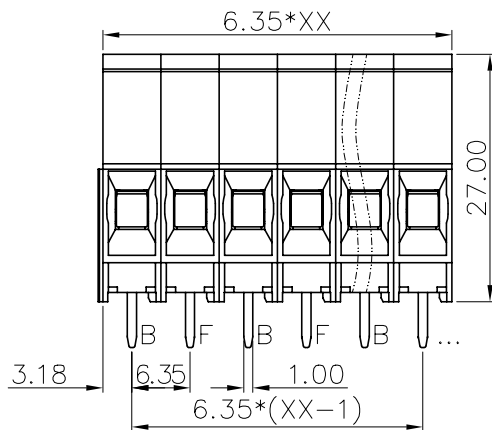
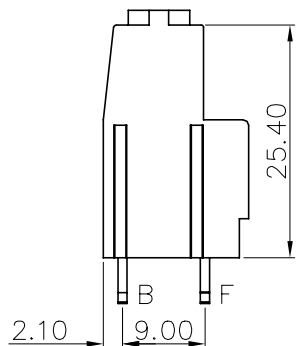
未注公差/General tolerances(mm)

0 ~ 3	>3 ~ 6	>6 ~ 18	>18 ~ 30	>30 ~ 50	>50 ~ 80	>80 ~ 120	>120 ~ 180	>180 ~ 250	>250 ~ 315	>315 ~ 400	>400 ~ 500	>500
±0.12	±0.18	±0.22	±0.26	±0.31	±0.37	±0.57	±0.80	±0.93	±1.05	±1.15	±1.60	±2.20

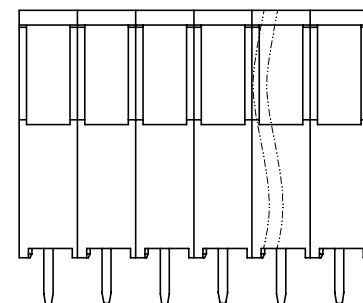
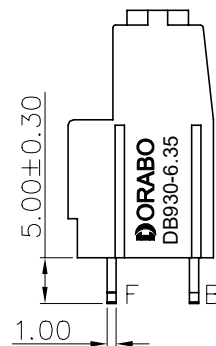


F: Front Pin
B: Back Pin

REV	ECN	DESCRIPTION	DRFT	DATE



PCB LAYOUT



DB930A — 6.35 — XXP — C — S/P
 (Series No.) (Pitch) (Poles) Slotted/Phillips

(Color):GN:(Green), BK:(Black), BU:(Blue), RD:(Red), GY:(Gray)
 OG:(Orange), WT:(White), YL:(Yellow), CR:(Clear)

UL 标准/UL Standard:	B	C	D
额定电压/电流/Rated Voltage(V)/Current(A)	600/30	/	600/10
IEC 标准/IEC Standard:			
过压类别/Overvoltage Category/污染等级/Pollution Degree	III/3	III/2	II/2
额定电压/电流/Rated Voltage(V)/Current(A)	800/41	1000/41	1000/41
额定脉冲电压(KV)/Rate Impulse Voltage(KV)	8	8	8
螺丝扭矩/Torque Tightening(N·m/Lb.in)	M3.5	0.8N·m/7.02Lb.in	
线径范围(硬线和软线)/Wire Range(rigid and flexible)(mm ² /AWG)		0.2~6/30~10	
间距/Pitch(mm)/线数范围/Poles		6.35/XX=02~16P	
剥线长度/Stripping length(mm)		8~9	
使用温度范围/Operating temperature(°C)		-40~+105	
符合RoHS环保要求/Conform to RoHS		Yes	

Cage	Steel	Zn Plated
Screw	Steel	Zn Plated
Conductor	Copper alloy	Sn Plated
Insulator	PA66	UL94V-0
NAME OF PART	MATERIAL	NOTES

MAT NO.:	/	NINGBO DORABO ELECTRICAL CO., LTD			
STATUS:	/	NAME: DB930A-6.35-XXP-C-S			
APPD: MARK	2024.03.20	DRAWING NO.:		REV	M0
CHKD: MARK	2024.03.20	TYPE: CUSTOMER_DRAWING		SCALE:	SHEET 1/1
DRFT: MARK	2024.03.20	SIZE: A4			