

未注公差/General tolerances(mm)														
0	>3	>6	>10	>18	>30	>50	>80	>120	>180	>250	>315	>400	>500	0.1/10 ±2°
~3	~6	~10	~18	~30	~50	~80	~120	~180	~250	~315	~400	~500	~500	
±0.12	±0.18	±0.22	±0.26	±0.31	±0.37	±0.57	±0.80	±0.93	±1.05	±1.15	±1.60	±2.20	±2.50	

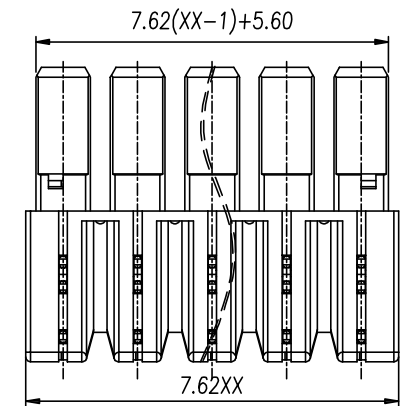
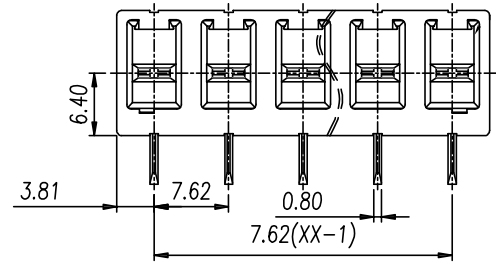
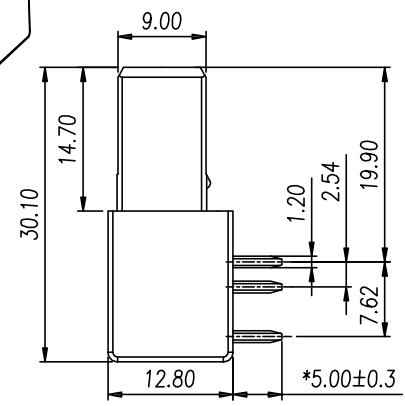
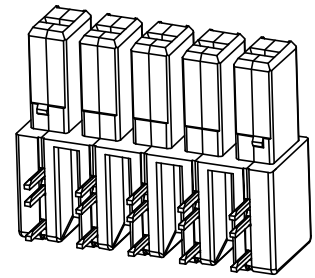
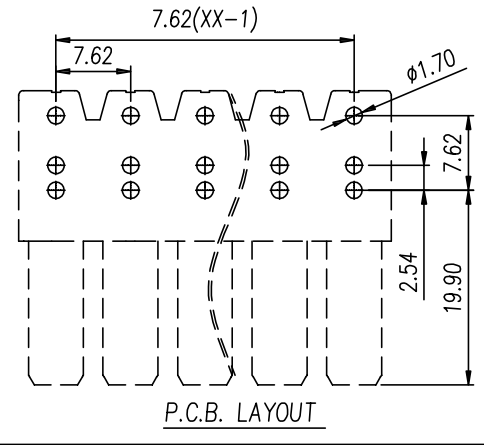
REV	ECN	DESCRIPTION	DRFT	DATE

A

B

C

D



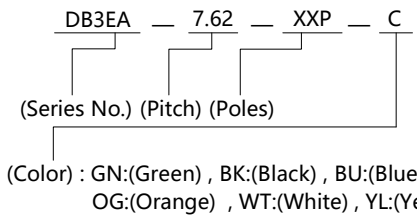
A

B

C

D

UL 标准/UL Standard:	B	C	D
额定电压/电流/Rated Voltage(V)/Current(A)	300/41	300/41	600/5
IEC 标准/IEC Standard:			
过压类别/Overvoltage Category/污染等级/Pollution Degree	III/2		
额定电压/电流/Rated Voltage(V)/Current(A)	630/41		
额定脉冲电压(KV)/Rate Impulse Voltage(KV)	6.0		
螺丝扭矩/Torque Tightening(N·m/Lb.in)	/		
线径范围(硬线和软线)/Wire Range(rigid and flexible)(mm ² /AWG)	/		
间距/Pitch(mm)/线数范围/Poles	7.62/XX=02~12P		
剥线长度/Stripping length(mm)	/		
使用温度范围/Operating temperature(°C)	-40~+105		
符合RoHS环保要求/Conform to RoHS	Yes		



MAT NO.:	/
STATUS:	/
APPD: MARK	2024.10.26
CHKD: MARK	2024.10.26
DRFT: MARK	2024.10.26
SIZE: A4	mm (inch)

Spring	Stainless Steel	/
Conductor	Copper alloy	Sn Plated
Button	PA66	UL94V-0
Insulator	PA66	UL94V-0
NAME OF PART	MATERIAL	NOTES

宁波地博电气有限公司 NINGBO DORABO ELECTRICAL CO., LTD	
NAME: DB3EA-7.62-XXP-C	
DRAWING NO.:	/
REV	M0
TYPE: CUSTOMER_DRAWING	SCALE:
SHEET	1/1